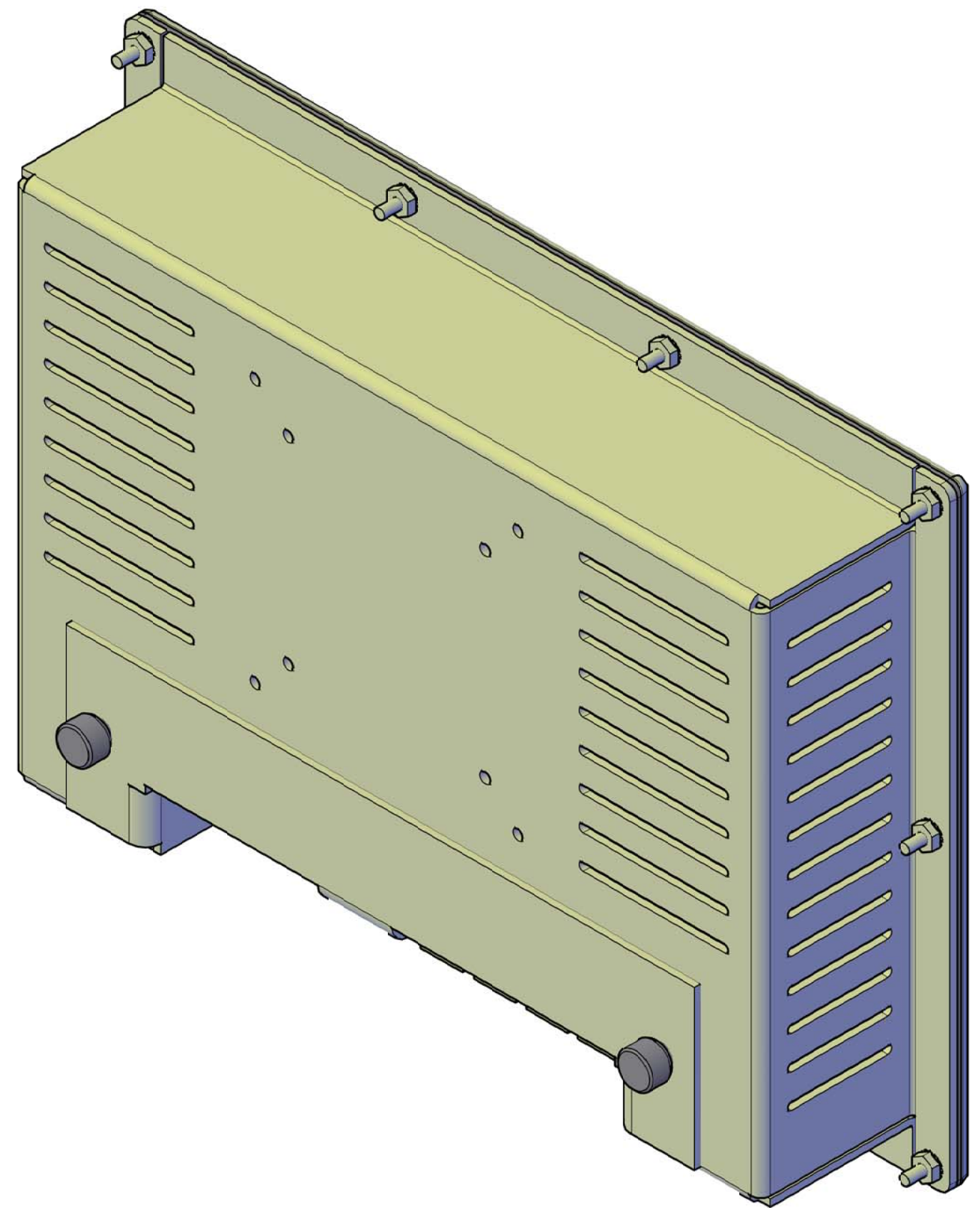
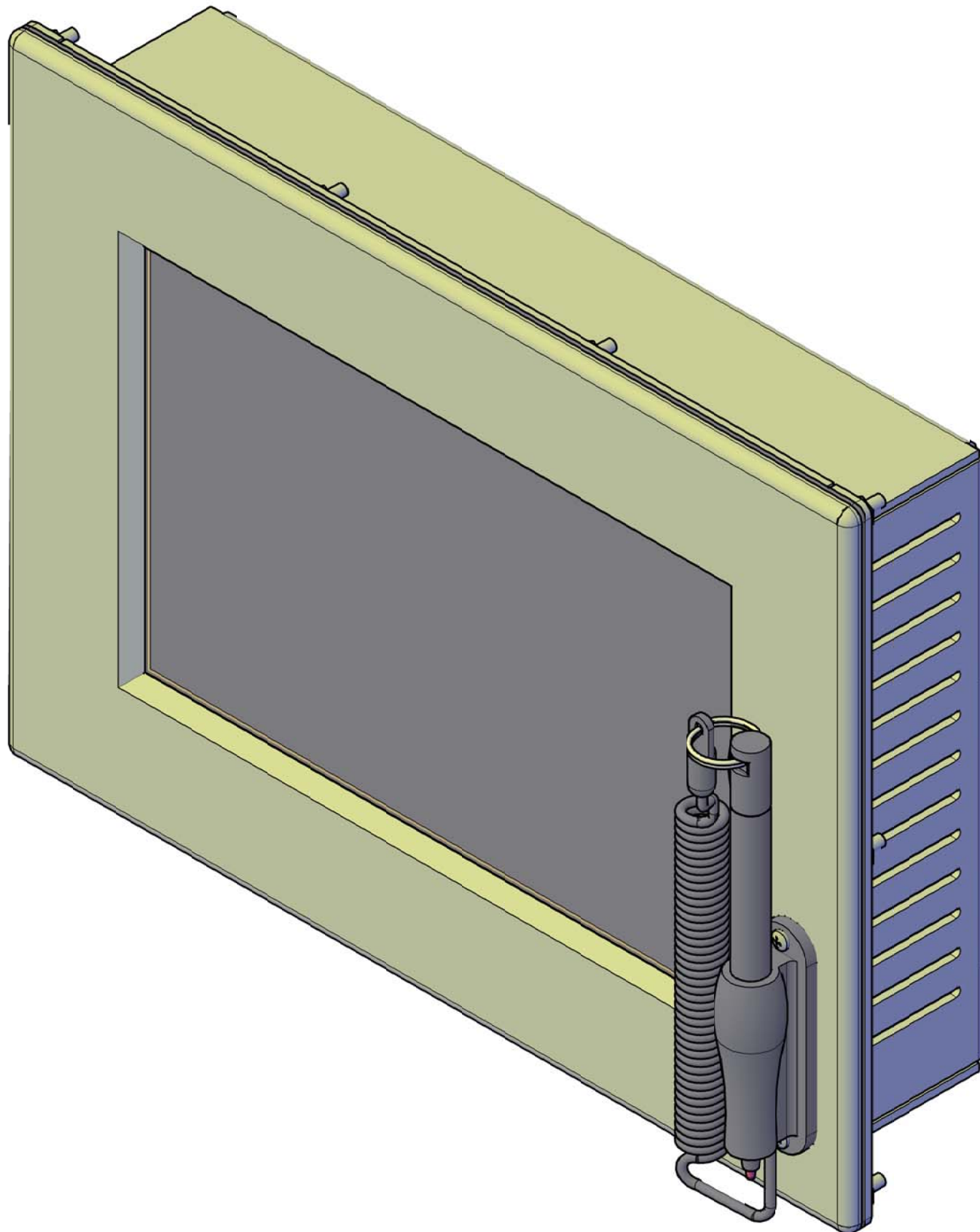
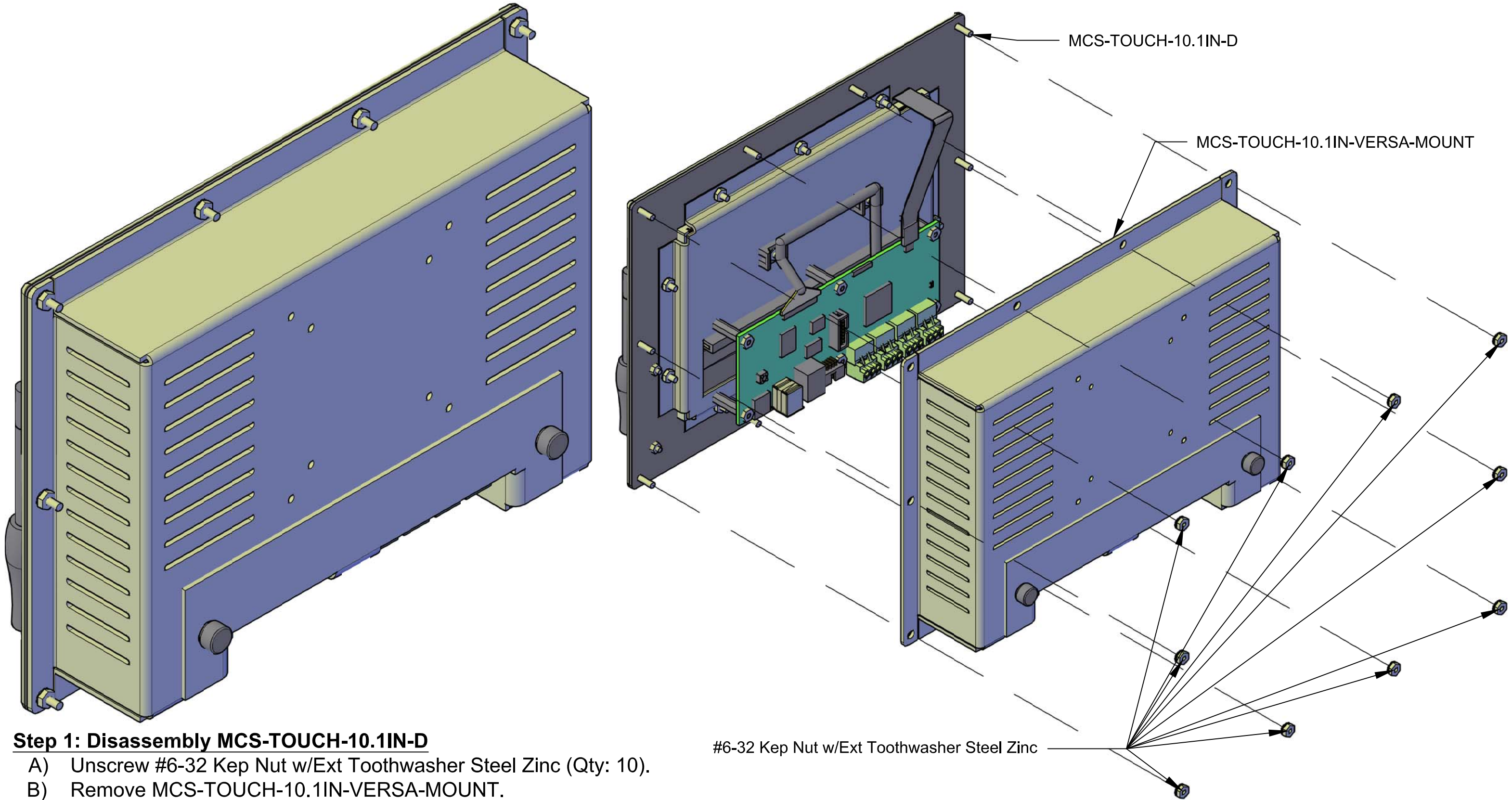


MCS-TOUCH-10.1IN-D



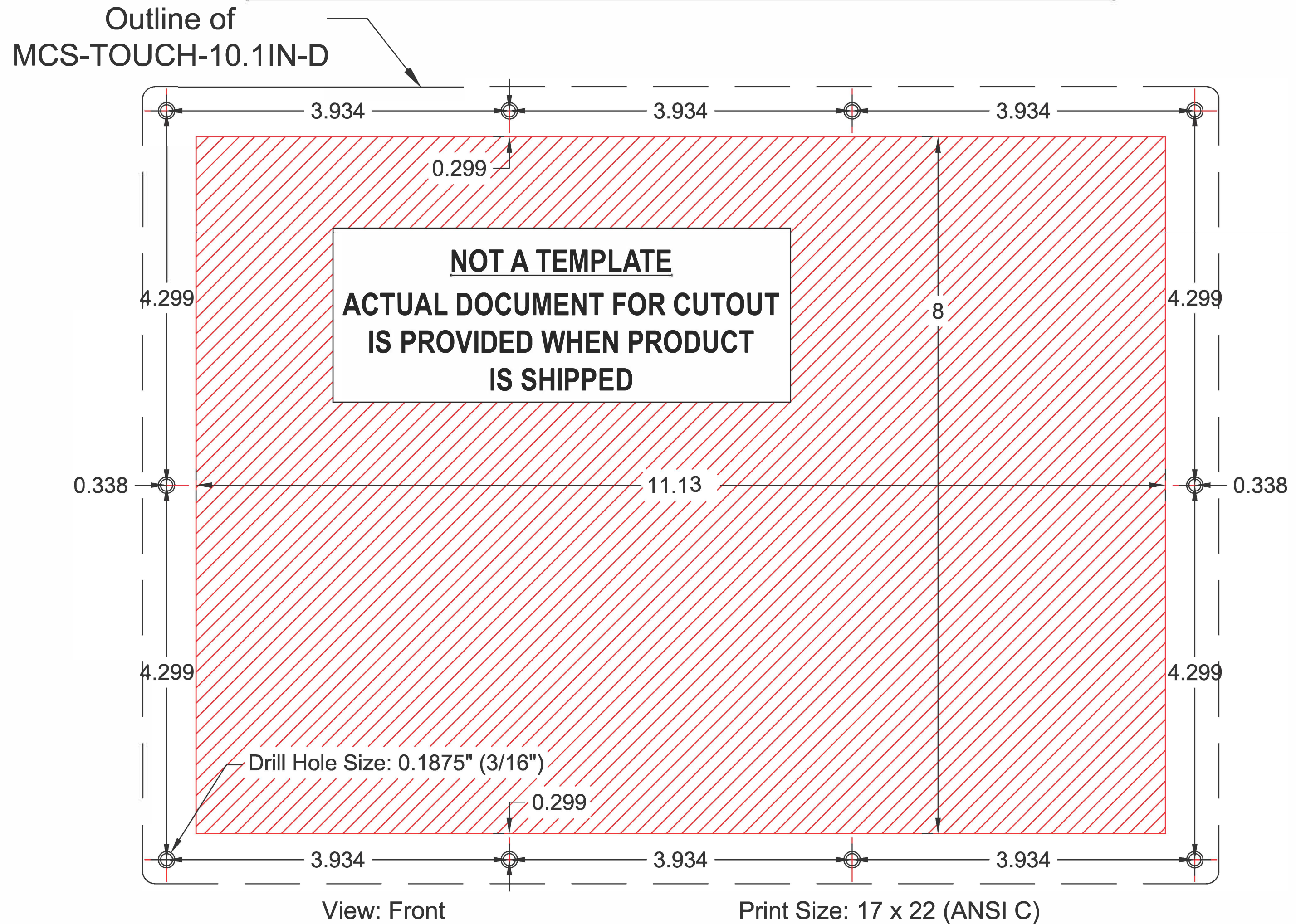


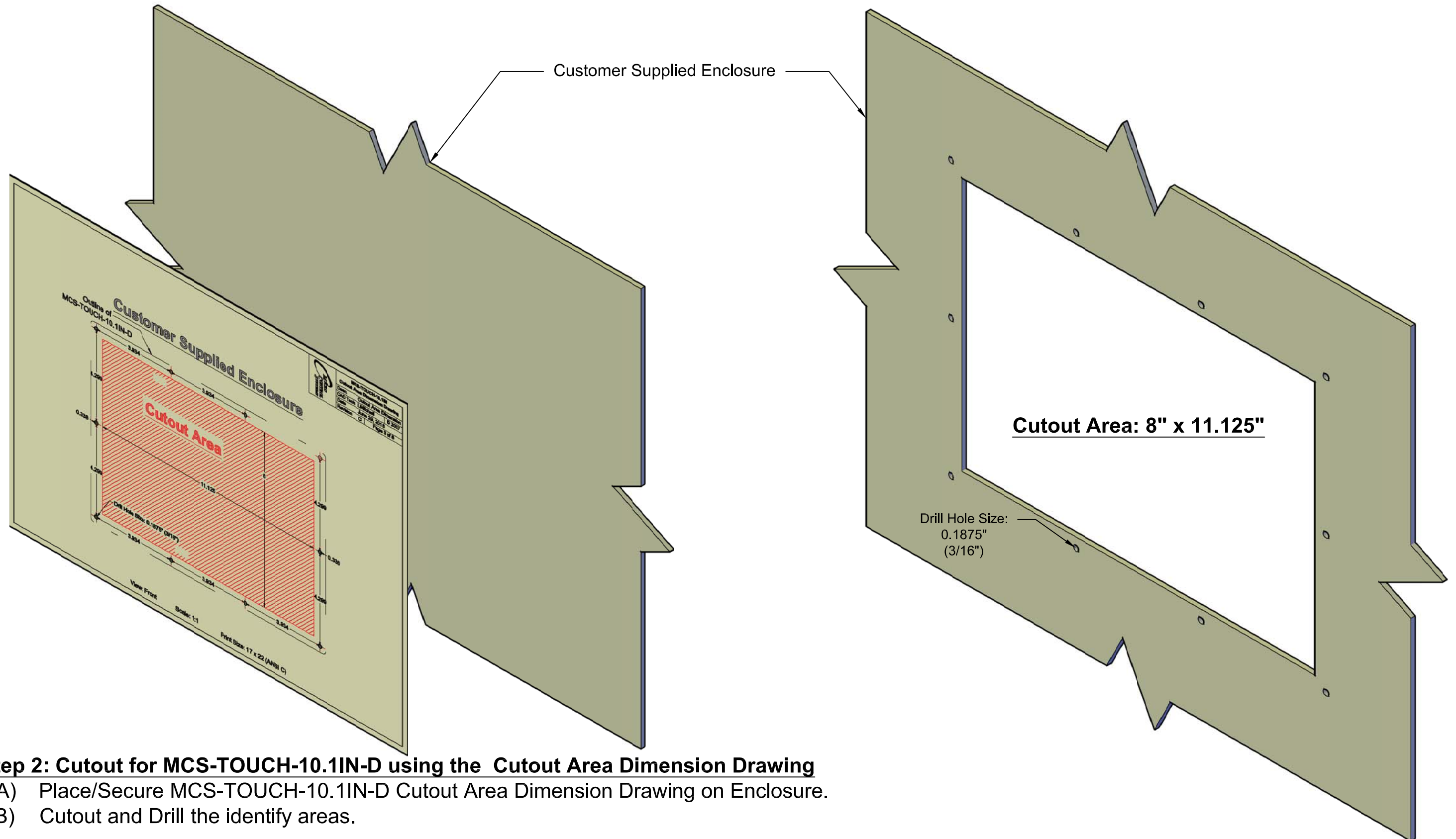
Step 1: Disassembly MCS-TOUCH-10.1IN-D

- A) Unscrew #6-32 Kep Nut w/Ext Toothwasher Steel Zinc (Qty: 10).
- B) Remove MCS-TOUCH-10.1IN-VERSA-MOUNT.

#6-32 Kep Nut w/Ext Toothwasher Steel Zinc

Customer Supplied Enclosure



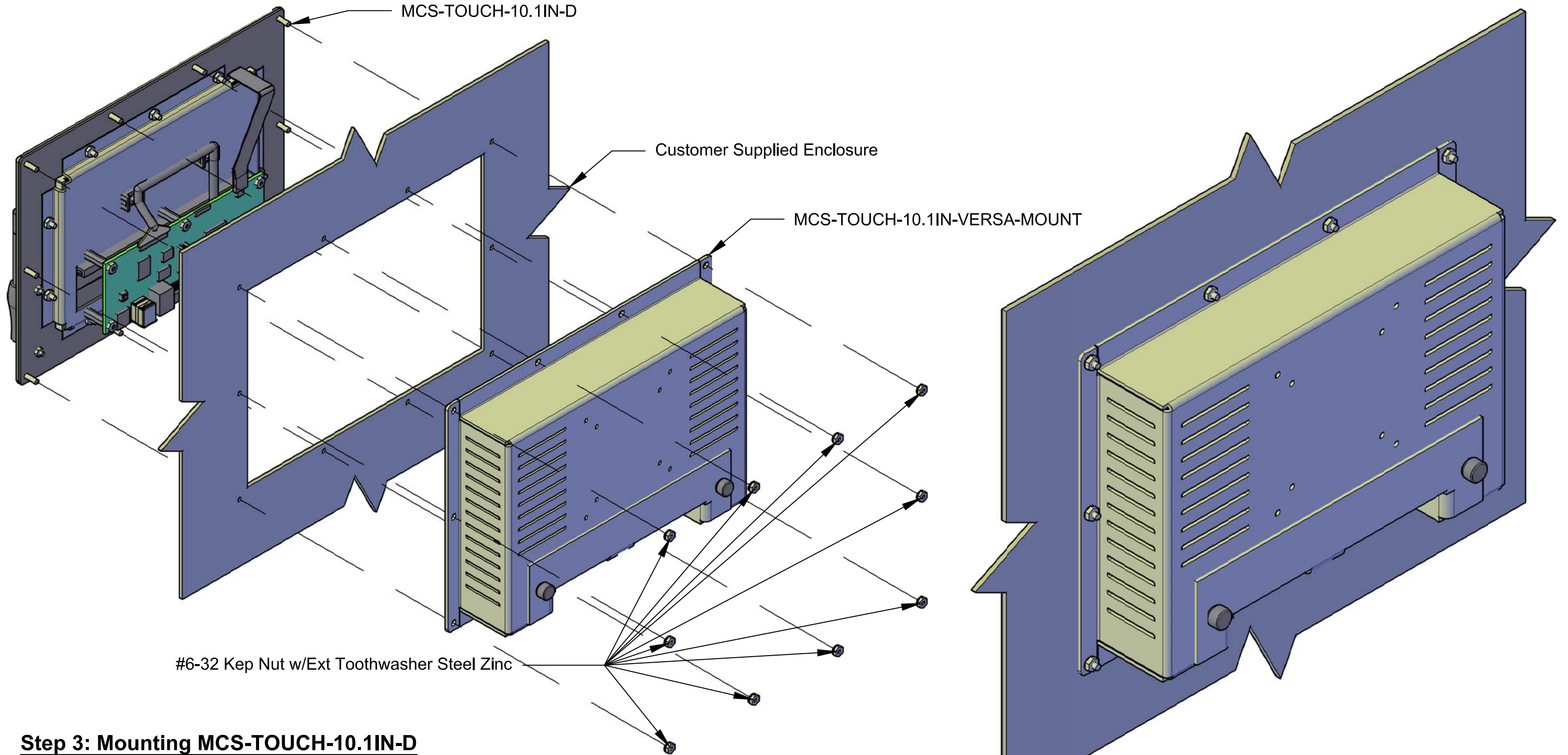


Step 2: Cutout for MCS-TOUCH-10.1IN-D using the Cutout Area Dimension Drawing

- Place/Secure MCS-TOUCH-10.1IN-D Cutout Area Dimension Drawing on Enclosure.
- Cutout and Drill the identify areas.

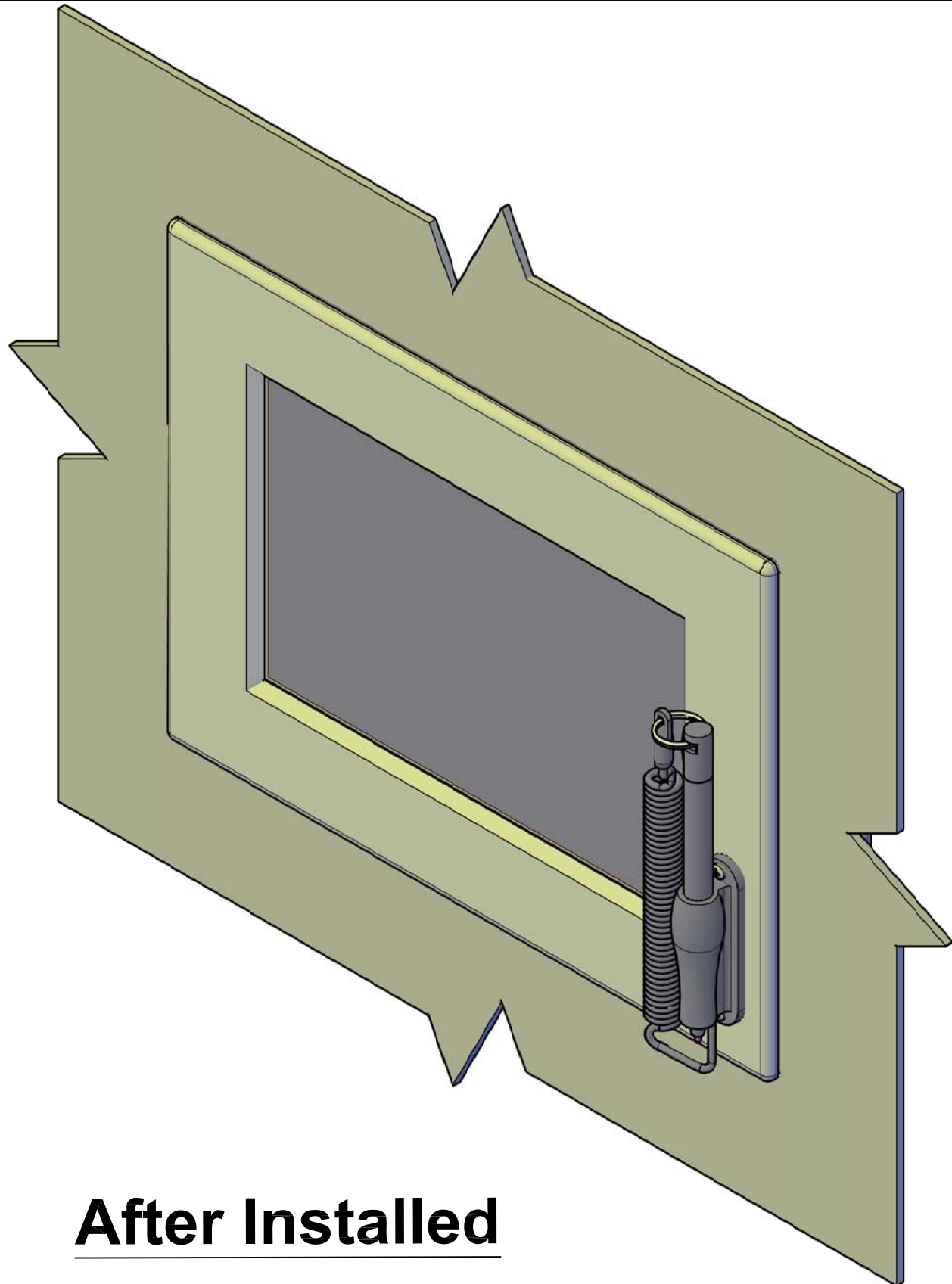
MCS-TOUCH-10.1IN-D

Mounting MCS-TOUCH-10.1IN-D

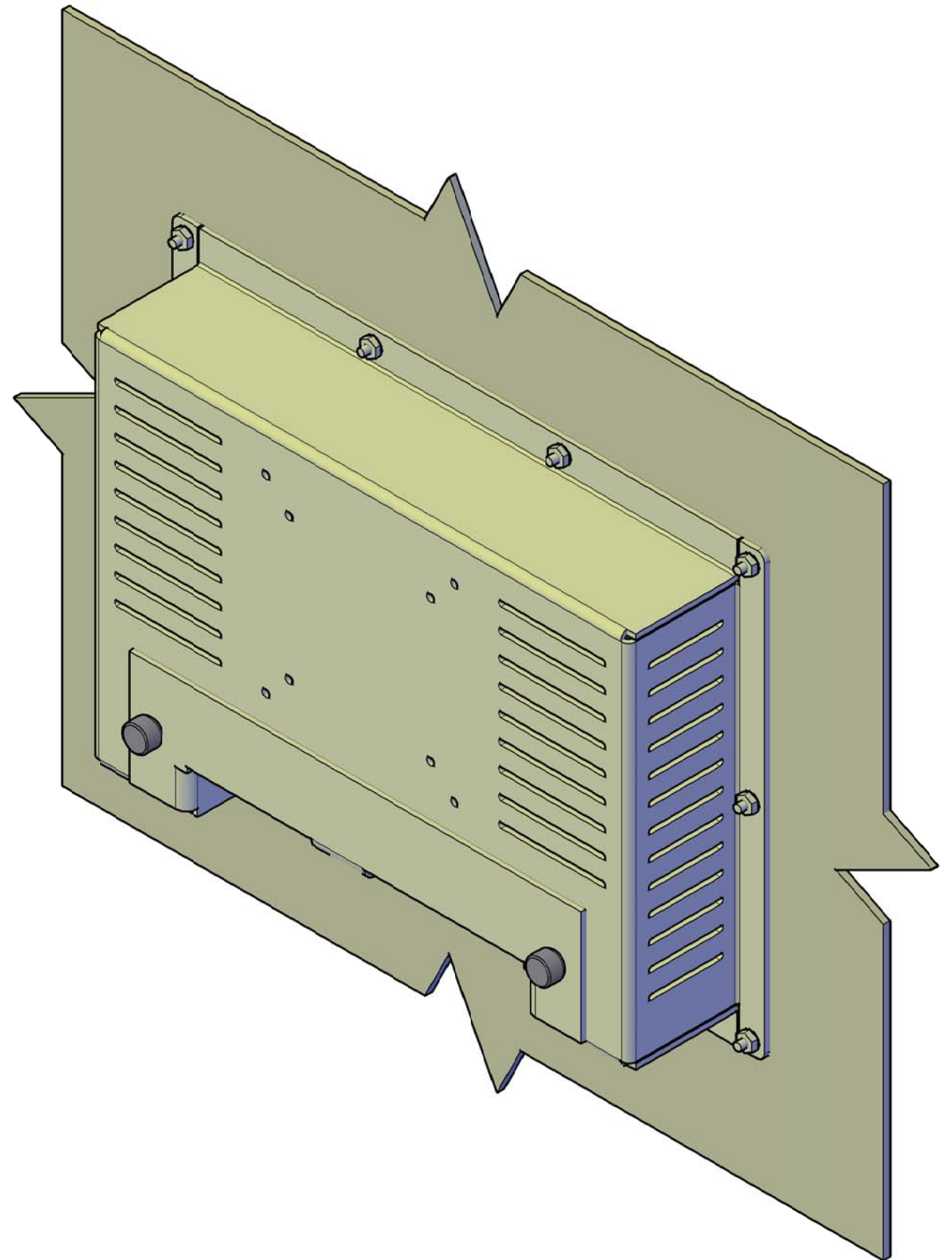


Step 3: Mounting MCS-TOUCH-10.1IN-D

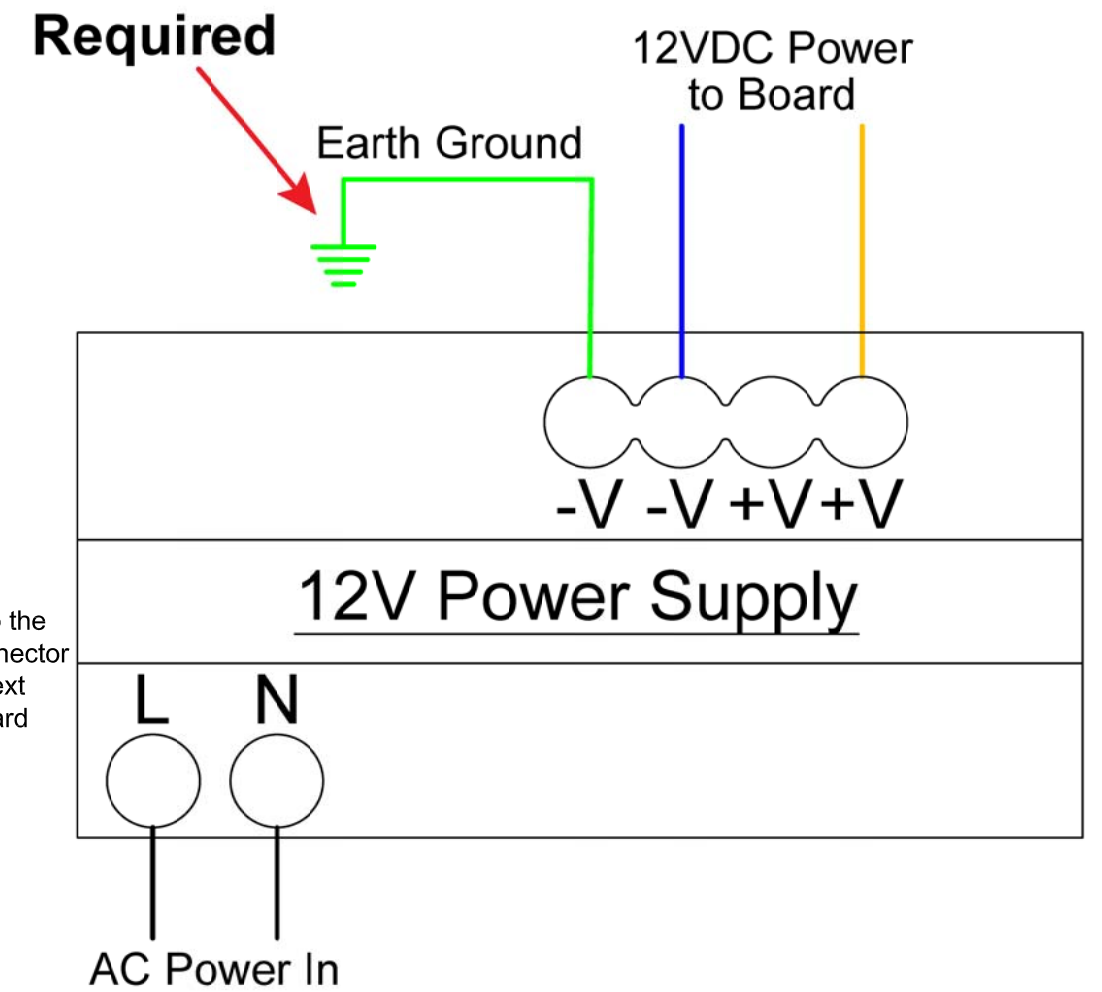
- A) Place MCS-TOUCH-10.1IN-D inside Customer Supplied Enclosure.
- B) Mounted MCS-TOUCH-10.1IN-VERSA-MOUNT to MCS-TOUCH-10.1IN-D.
- C) Secure MCS-TOUCH-10.1IN-D and MCS-TOUCH-10.1IN-VERSA-MOUNT with #6-32 Kep Nut w/Ext Toothwasher Steel Zinc (Qty: 10).



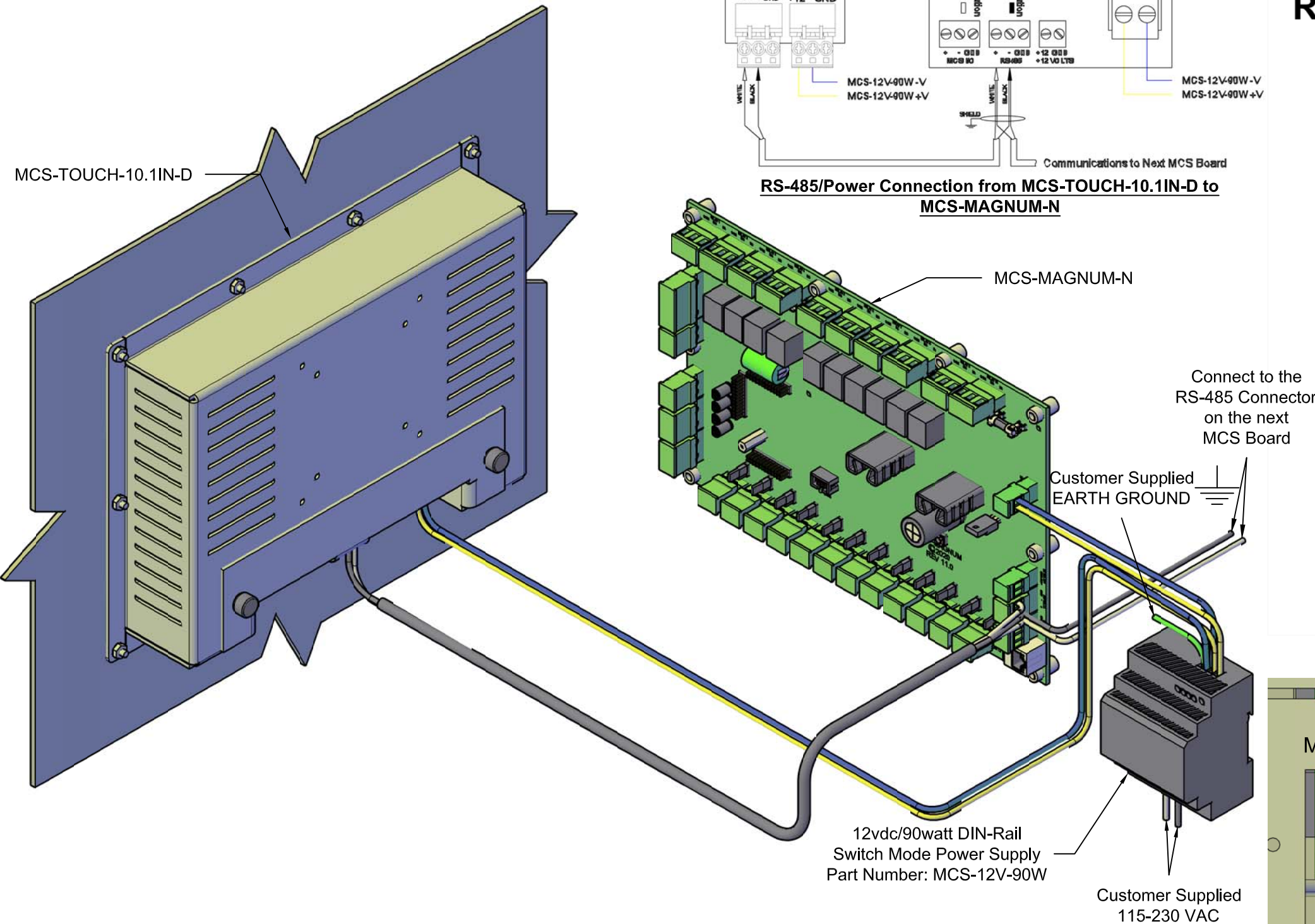
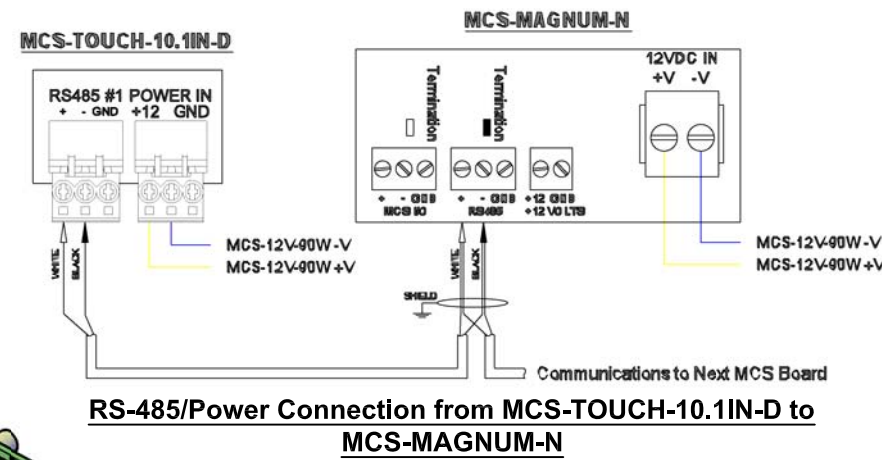
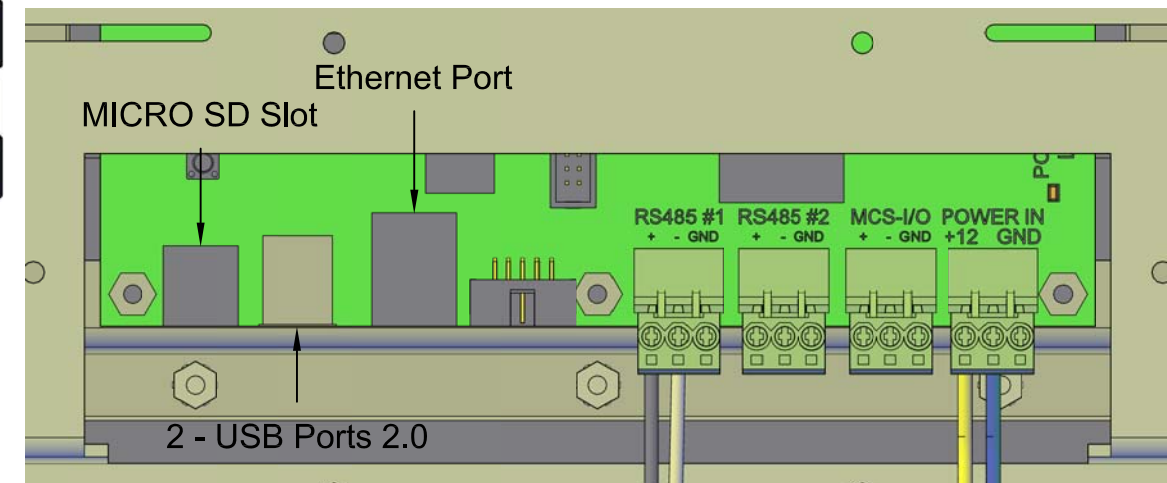
After Installed



MCS-12V-90W Wiring Diagram

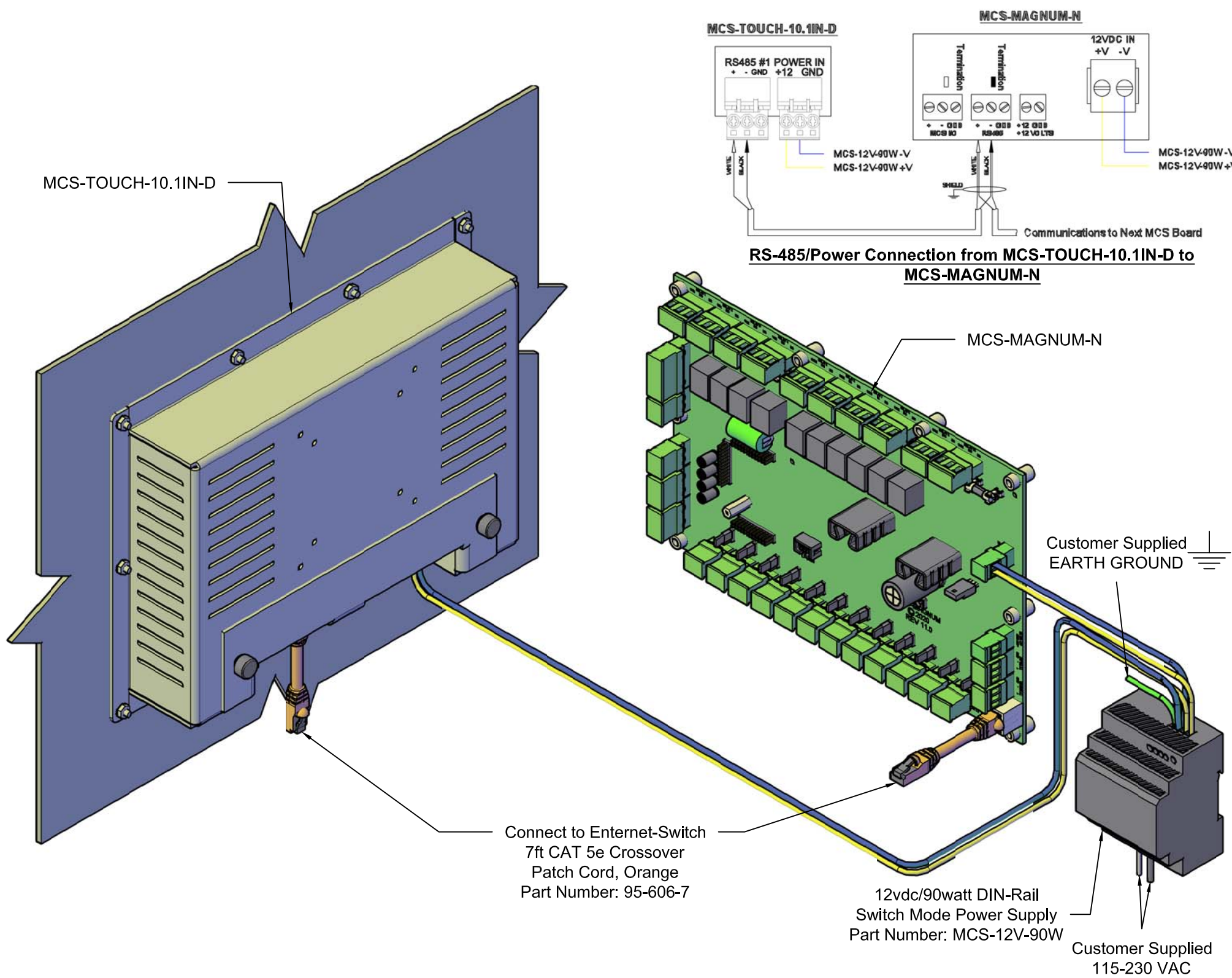


Back of MCS-TOUCH-10.1IN with Cover removed

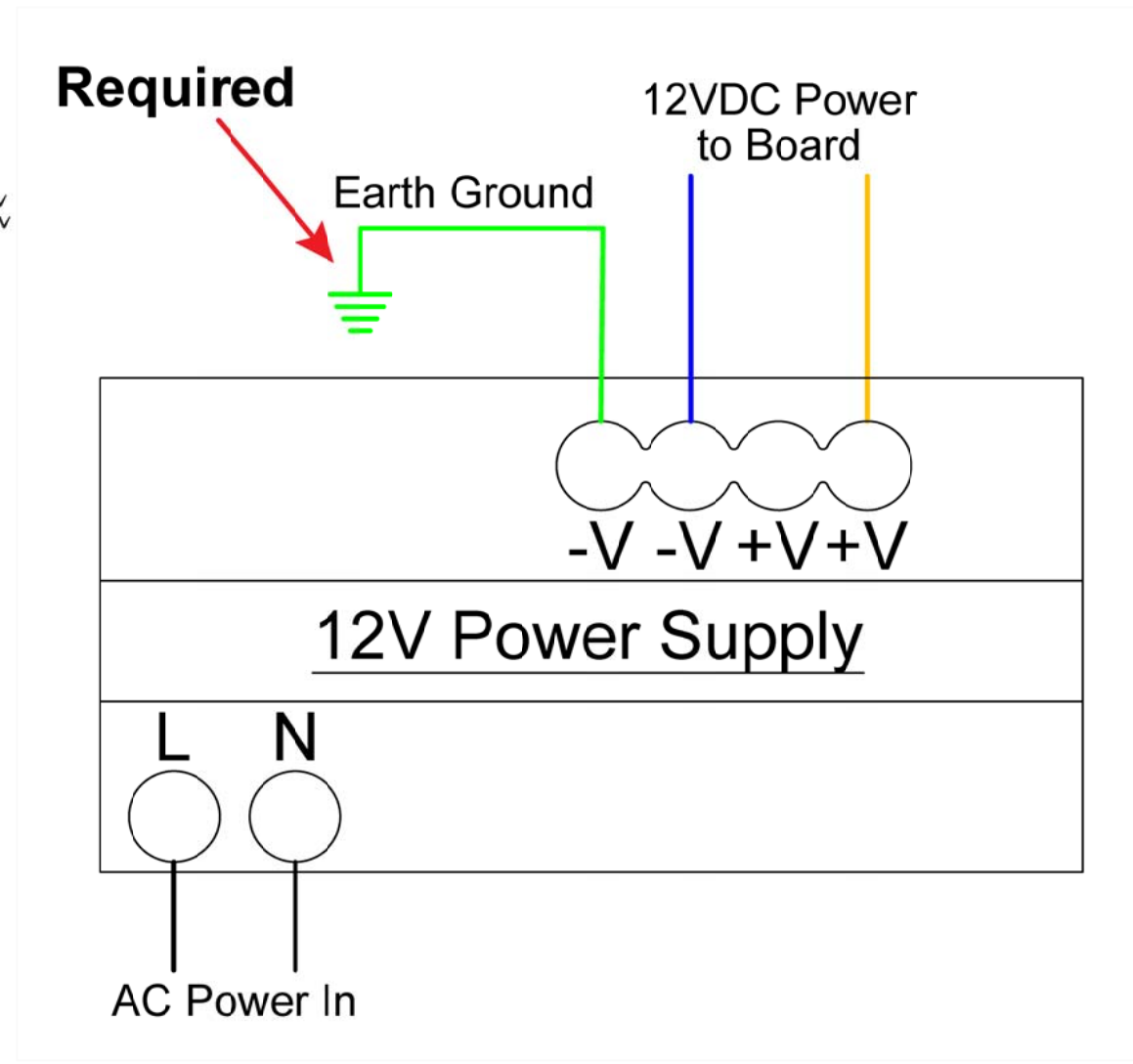


MCS-TOUCH-10.1IN-D

Ethernet-Switch Wiring Drawing



MCS-12V-90W Wiring Diagram



Back of MCS-TOUCH-10.1IN with Cover removed

